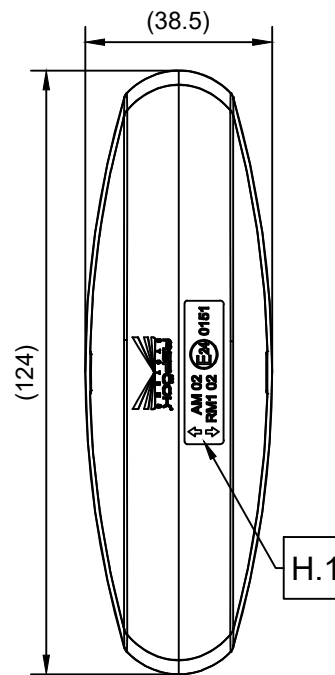
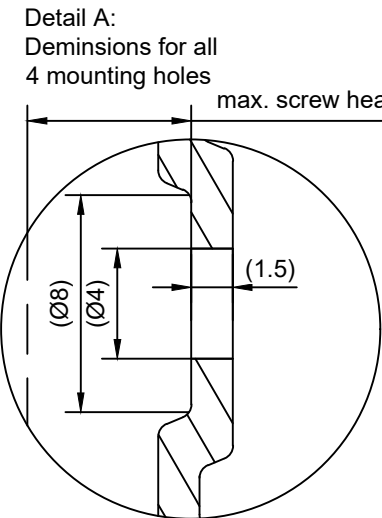
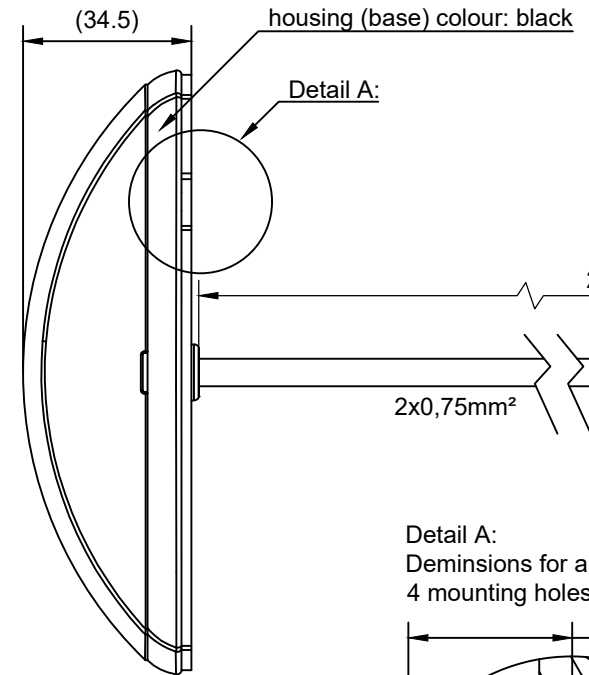


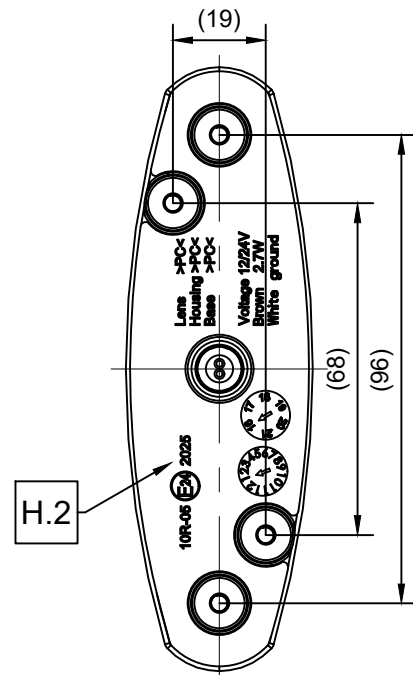
Level	Zone	ECI N°.	Revision note	Date	Designed	Checked



H.1



CONNECTOR:		
function	pin	wire colour
Masse GND	1	weiss white
+VDC +VDC	2	braun brown



H.2

Electrical Specification				
Funktion Function	Nennspannung Nominal Voltage	Spannungsbereich Voltage Range	Nennstrom Nominal Current	Nennleistung Nominal Power
Volt (V)	Volt (V)	Volt (V)	Ampere (A)	Watt (W)
Flexipoint II LED	12V / 24V	10V - 30V	0.23A / 0.11A	2.7W

Homologation description				
H.1	E24 0151	AM 02	RM1 02	
H.2	E24 2025	10R 05		

Asp. Norm AAW075.04 () Auxiliary dimension DIN 406-10 [] Unfinished dimension DIN 406-10 [] Theoretical dimension ISO 1101
 Test dimension (SPC) [] Surface quality ISO 1302

Designed by Wetzlmaier Gerlinde 2019/07/18	Checked by Strubreiter Daniel 2019/07/18	Approved by Geisberger Markus 2019/07/18	DRAFT
Designation Flexipoint II LED DC 2.5m with black base			
Drawing Nr. 31852401		Tolerance Asp. PAW 100.53b1	Weight - g
Business Unit SALES - 12		Level R01	Scale x:x
Part Number 31-8524-017		Sheet 1 / 1	

Dimensions in mm

Transmittal, reproduction, dissemination and/or editing of this document as well as utilization of its contents and communication there of to others without express authorization are prohibited. Offenders will be held liable for payment of damages. All rights created by patent grant or registration of a utility model or design patent are reserved.